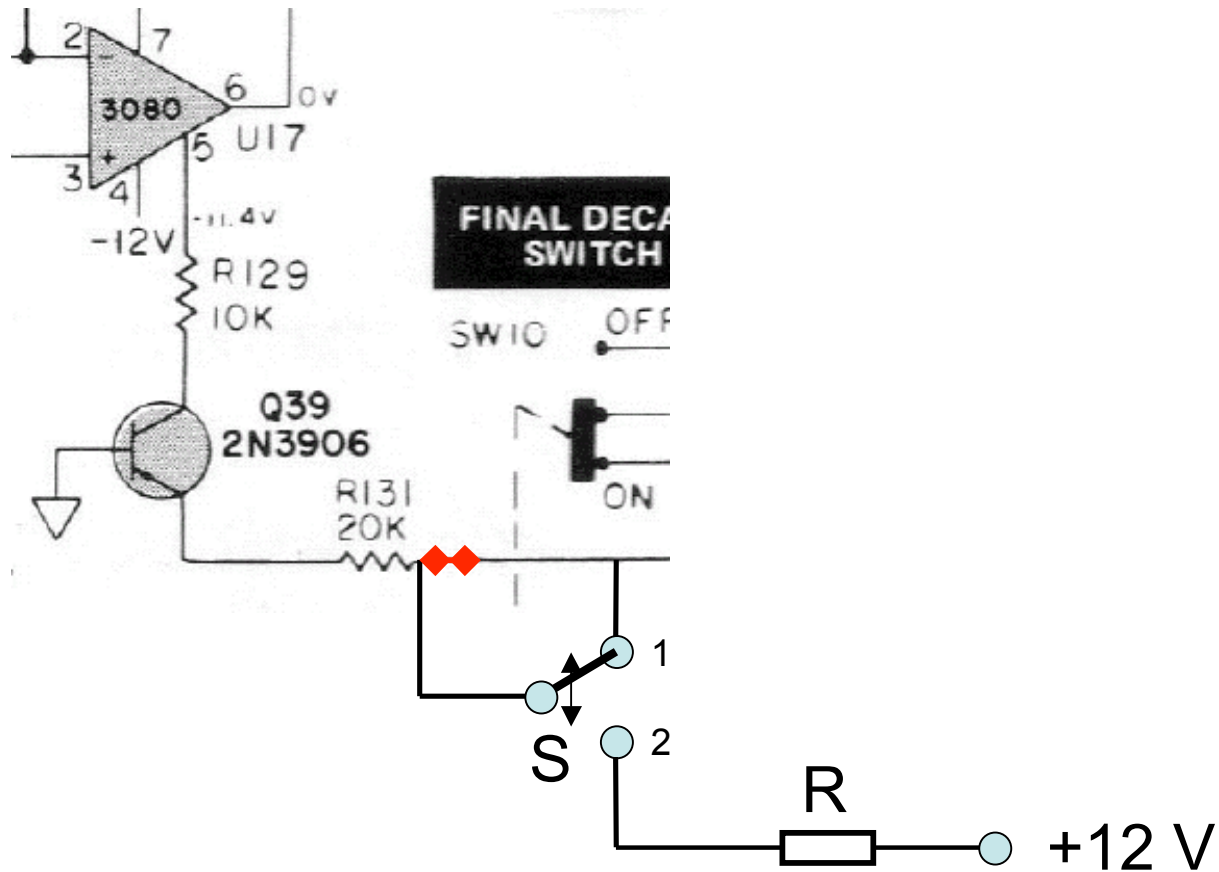


VCA-Hold Mod for Moog Prodigy



S: single-pole switch without middle rest i.e. "ON-ON"

R: Resistor ca. 10 kOhm

Position "1": normal operation, position "2": hold ("drone")

◆◆ here either the line on the circuit board needs to be cut or the right-hand end of R131 unsoldered to break the connection