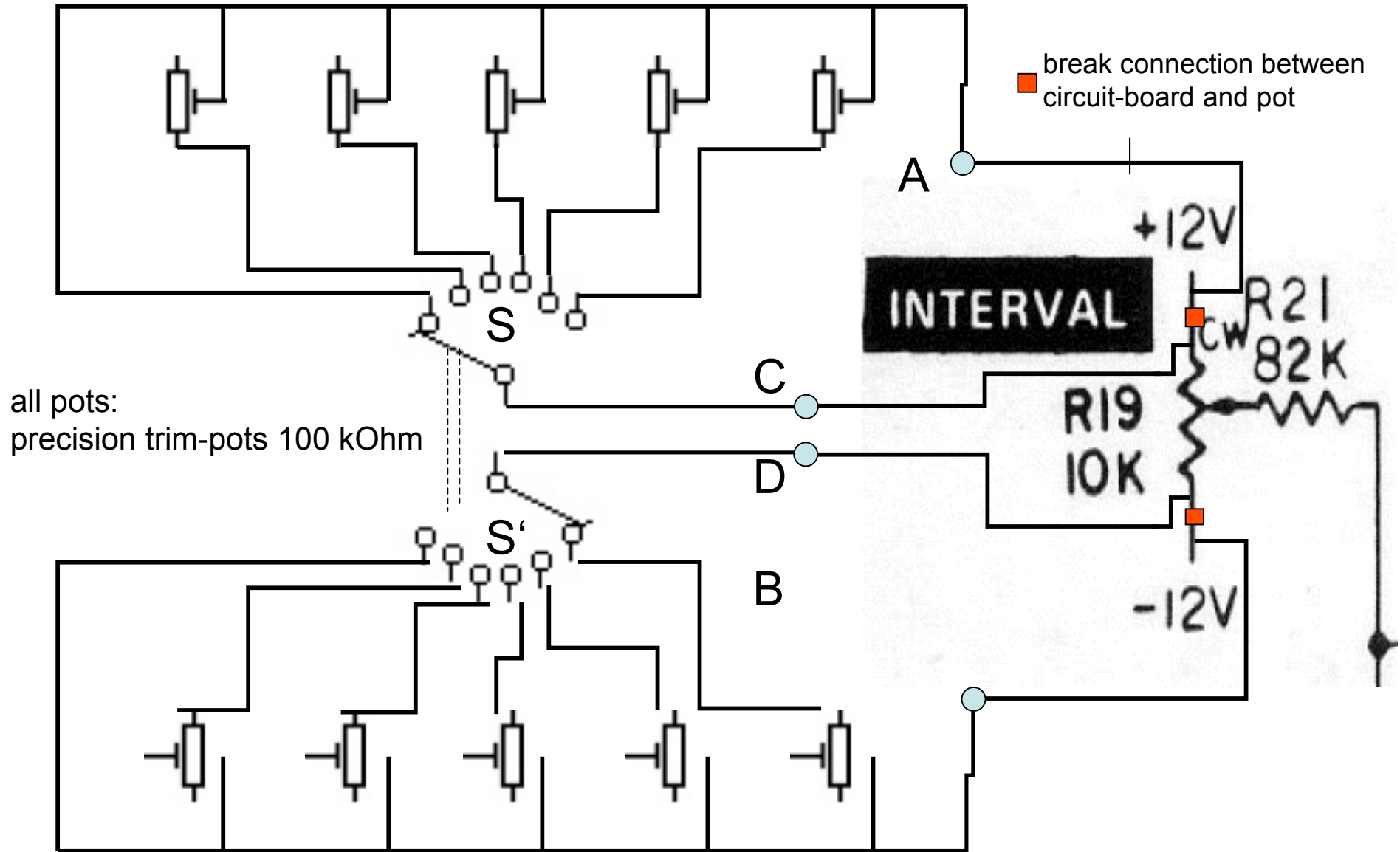


P1 - P5 (all 100 kOhm)



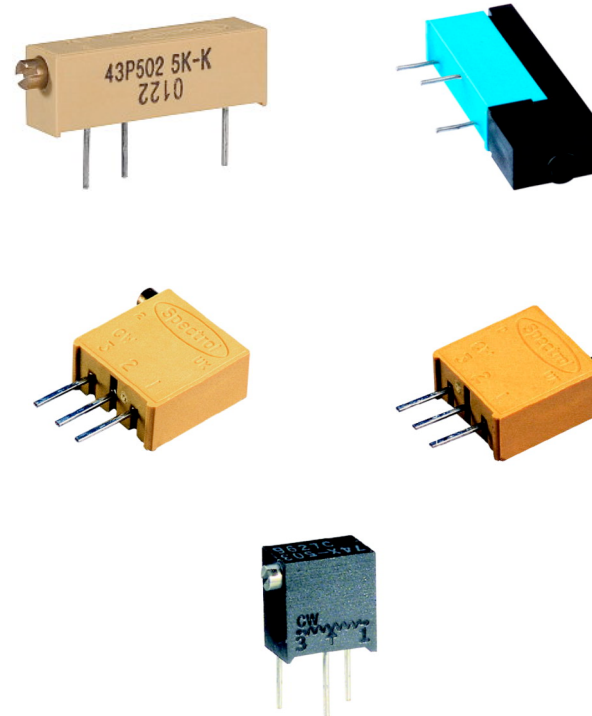
Interval preset switch mod for Moog Prodigy

**Fig 1: schematic**

Fig. 2: 6x2 rotary switch



Fig. 3: examples of precision trim-pots



Interval preset switch mod for Moog Prodigy

**Figs. 2 & 3: components**